

Ammeraal Beltech

Components Catalogue

Contents

Part I - Extruded Profiles



Page 3

Part II - Chains Guides



Page 10

Part III - Accessories



Page 16

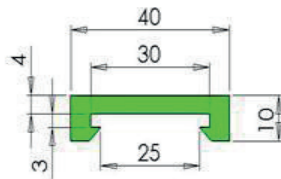
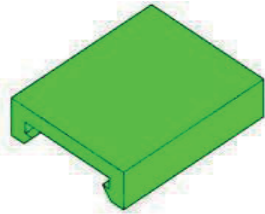
Part IV - Food Line



Page 32

C - extruded profiles

Type C06



STANDARD MATERIAL: PE-UHMW

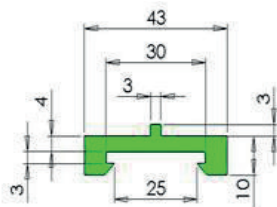
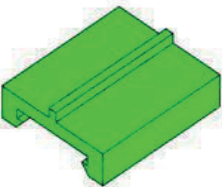
ON REQUEST: other colours and other materials

NOTE: possible combination with metallic profiles type INOX4 AISI 304/ INOX4 AISI 430

Colour	ITEM CODE	SUPPLY	MOQ
Green	931TAUHMWM0305C06E	3 mt Bars *	30 Bars

* 6 mt bars available on request
(delivery for special length of 6mt to be defined)

Type C07



STANDARD MATERIAL: PE-UHMW

ON REQUEST: other colours and other materials

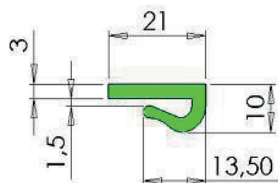
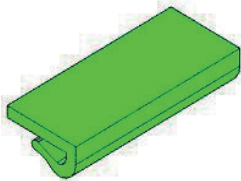
NOTE: possible combination with metallic profiles type INOX4 AISI 304/ INOX4 AISI 430

Colour	ITEM CODE	SUPPLY	MOQ
Green	931TAUHMWM03C07E	3 mt Bars *	30 Bars

* 6 mt bars available on request
(delivery for special length of 6mt to be defined)

P- extruded profiles

Type P01

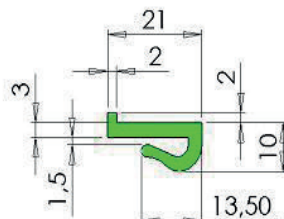
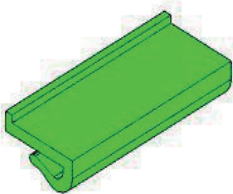


STANDARD MATERIAL: PE-UHMW,

ON REQUEST: other colours and other materials

Colour	ITEM CODE	SUPPLY	MOQ
Green	93ITAUHMWR50P01E	Rolls	100mt rolls

Type P02



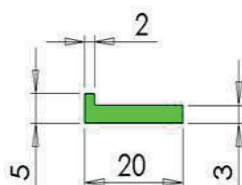
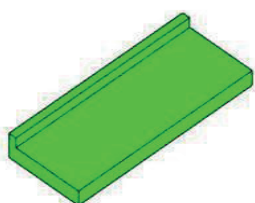
STANDARD MATERIAL: PE-UHMW,

ON REQUEST: other colours and other materials

Colour	ITEM CODE	SUPPLY	MOQ
Green	93ITAUHMWR50P02E	Rolls	100mt rolls

L - extruded profiles

Type L01

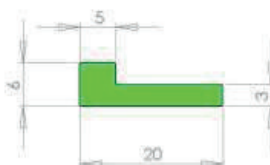
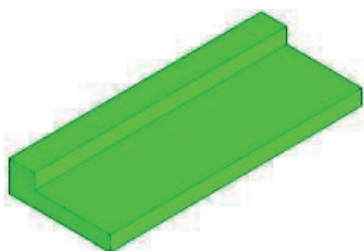


STANDARD MATERIAL: PE-UHMW,

ON REQUEST: other colours and other materials

Colour	ITEM CODE	SUPPLY	MOQ
Green	93ITAUHMR60L01E	Rolls	100mt rolls

Type L02.2



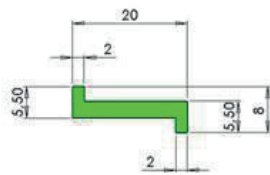
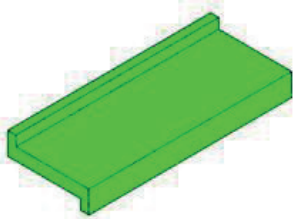
STANDARD MATERIAL: PE-UHMW,

ON REQUEST: other colours and other materials

Colour	ITEM CODE	SUPPLY	MOQ
Green	93ITAUHMWR60L022E	Rolls	100mt rolls

Z-extruded profiles

Type Z01

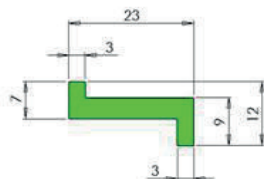
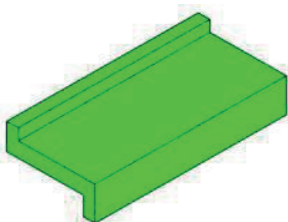


STANDARD MATERIAL: PE-UHMW,

ON REQUEST: other colours and other materials

Colour	ITEM CODE	SUPPLY	MOQ
Green	931TAUHMWR50Z01E	Rolls	100mt rolls

Type Z02



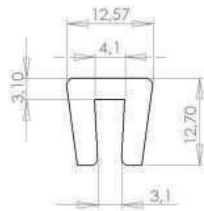
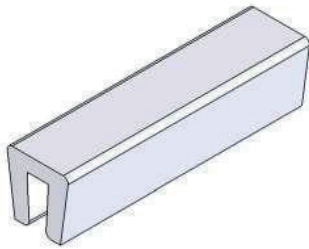
STANDARD MATERIAL: PE-UHMW,

ON REQUEST: other colours and other materials

Colour	ITEM CODE	SUPPLY	MOQ
Green	931TAUHMWR60Z02E	Rolls	100mt rolls

U- extruded profiles

Type U05

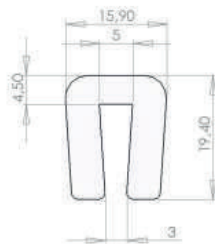
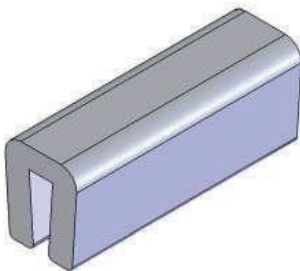


STANDARD MATERIAL: PE-UHMW,

ON REQUEST: other colours and other materials

Colour	ITEM CODE	SUPPLY	MOQ
White	93ITAUHMWR50U05W	Rolls	100mt rolls

Type U07.7



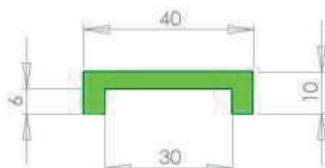
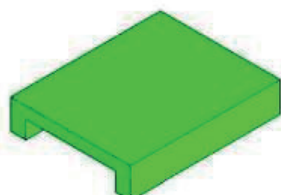
STANDARD MATERIAL: PE-UHMW,

ON REQUEST: other colours and other materials

Colour	ITEM CODE	SUPPLY	MOQ
White	93ITAPEM3U077W	3 mt Bars	30 Bars

U- extruded profiles

Type U01.1



STANDARD MATERIAL: PE-UHMW,

ON REQUEST: other colours and other materials

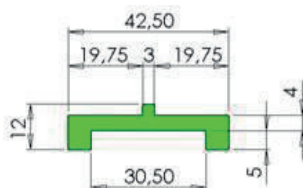
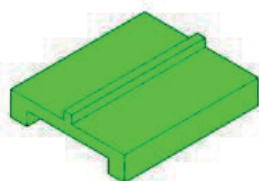
NOTE: possible combination with metallic profiles type INOX4 AISI 304/ INOX4 AISI 430

Colour	ITEM CODE	SUPPLY	MOQ
Green	931TAUHMWM06U011E	3 mt Bars *	30 Bars

* 6 mt bars available on request
(delivery for special length of 6mt to be defined)

W - extruded profiles

Type W05



STANDARD MATERIAL: PE-UHMW,

ON REQUEST: other colours and other materials

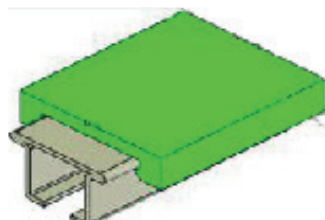
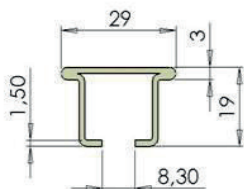
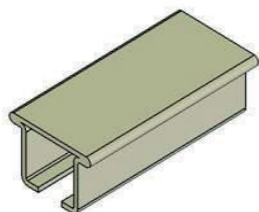
NOTE: possible combination with metallic profiles type INOX4 AISI 304/ INOX4 AISI 430

Colour	ITEM CODE	SUPPLY	MOQ
Green	931TAUHMR06W05E	3 mt Bars *	30 Bars

* 6 mt bars available on request
(delivery for special length of 6mt to be defined)

Metallic profiles

Type INOX4 AISI304/ INOX4 AISI430

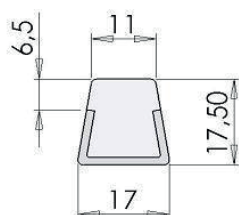
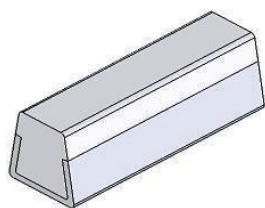


NOTE: Plastic profile is not included in the price below

TYPE	MATERIAL	ITEM CODE	SUPPLY	MOQ
INOX4 AISI 304	AISI 304	93ITASS304M03INOX4	3 mt Bars *	30 Bars
INOX4 AISI 430	AISI 430	93ITASS430M03INOX4	3 mt Bars *	30 Bars

* 6 mt bars available on request
(delivery for special length of 6mt to be defined)

Type R01.1



STANDARD MATERIAL: PE-UHMW+ base profile material AISI 304

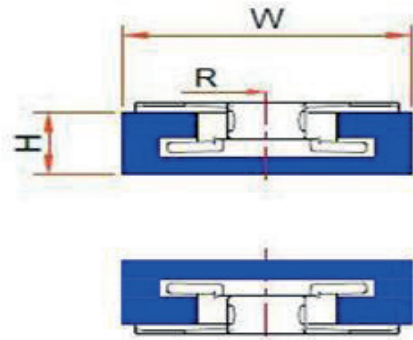
ON REQUEST: other colours and other materials

Colour	ITEM CODE	SUPPLY	MOQ
White	93ITAUHMWR06R011W	3 mt Bars *	30 Bars

* 6 mt bars available on request
(delivery for special length of 6mt to be defined)

Chains guides

Guides for uni 880 TAB/881 TAB/8811 TAB/879 TAB/440 TAB



STANDARD MATERIAL & COLOUR: black PE500 and PE1000R

STANDARD FEATURES: - radius is in 90° angle
- straight in and out is 50mm

SUPPLY: a set is composed by carry and return (1 SET=2 PCS)

ON REQUEST: - other colours and materials
- other radius, in and out, section dimensions and angles

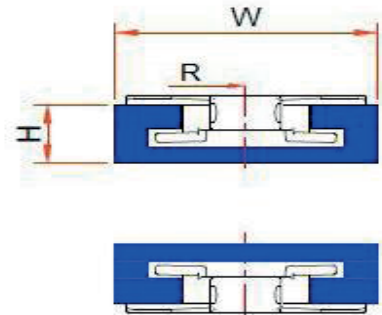
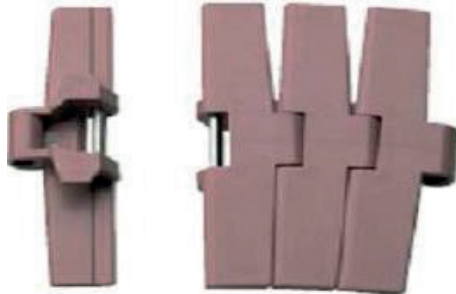
NOTE: profiles suitable also for **880 RIB** and **880 RIB FLEX**

K325 TAB (82,6mm)	CURVE SET						STRAIGHT SET (2 mt /each bar)	
	W	H	T	R	ITEM CODE PE 500	ITEM CODE PE 1000R	ITEM CODE PE 500	ITEM CODE PE 1000R
1 track	100	25	-	500	346PE05R05001K0325880TK	346PE10R05001K0325880TK	345PE05M21K0325880TK	345PE10M21K0325880TK
1 track	100	25	-	610	346PE05R06101K0325880TK	346PE10R06102K0325880TK	345PE05M21K0325880TK	345PE10M22K0325880TK
K450 TAB (114,3mm)	CURVE SET						STRAIGHT SET (2 mt /each bar)	
	W	H	T	R	ITEM CODE PE 500	ITEM CODE PE 1000R	ITEM CODE PE 500	ITEM CODE PE 1000R
1 track	125	25	-	500	346PE05R05001K0450880TK	346PE10R05001K0450880TK	345PE05M21K0450880TK	345PE10M21K0450880TK
1 track	125	25	-	610	346PE05R06101K0450880TK	346PE10R06102K0450880TK	345PE05M21K0450880TK	345PE10M22K0450880TK
K750 TAB (190,5mm)	CURVE SET						STRAIGHT SET (2 mt /each bar)	
	W	H	T	R	ITEM CODE PE 500	ITEM CODE PE 1000R	ITEM CODE PE 500	ITEM CODE PE 1000R
1 track	200	25	-	610	346PE05R06101K0750880TK	346PE10R06101K0750880TK	345PE05M21K0750880TK	345PE10M21K0750880TK

Chains guides



Guides for uni 882 TAB



STANDARD MATERIAL & COLOUR: black PE500 and PE1000R

STANDARD FEATURES:

- radius is in 90° angle
- straight in and out is 50mm
- radius for K1000 and over K1000 multi track the curve is splitted in 45° sections

SUPPLY: a set is composed by carry and return (1 SET=2 PCS)

ON REQUEST:

- other colours and materials
- other radius, in and out, section dimensions and angles

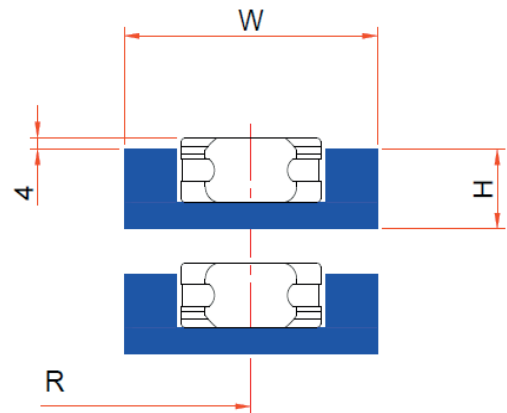
NOTE: profiles suitable also for **882 PRR TAB** and **882 SC TAB**

K450 TAB (114,3mm)	CURVE SET					
	W	H	T	R	ITEM CODE PE 500	ITEM CODE PE 1000R
1 track	125	30	-	610	396PE05R06101K0450882TK	396PE10R06101K0450882TK
K750 TAB (190,5mm)	CURVE SET					
	W	H	T	R	ITEM CODE PE 500	ITEM CODE PE 1000R
1 track	200	30	-	610	396PE05R06101K0750882TK	396PE10R06101K0750882TK
K1000 TAB (254mm)	CURVE SET					
	W	H	T	R	ITEM CODE PE 500	ITEM CODE PE 1000R
1 track	270	30	-	610	396PE05R06101K1000882TK	396PE10R06101K1000882TK
K1200 TAB (304,8mm)	CURVE SET					
	W	H	T	R	ITEM CODE PE 500	ITEM CODE PE 1000R
1 track	320	30	-	610	396PE05R06101K1200882TK	396PE10R06101K1200882TK
K1500 TAB (381mm)	CURVE SET					
	W	H	T	R	ITEM CODE PE 500	ITEM CODE PE 1000R
1 track	400	30	-	700	39PE05R07001K1500882TK	39PE10R07001K1500882TK
K1600 TAB (406,4mm)	CURVE SET					
	W	H	T	R	ITEM CODE PE 500	ITEM CODE PE 1000R
1 track	425	30	-	700	396PE05R07001K1600882TK	396PE10R07001K1600882TK

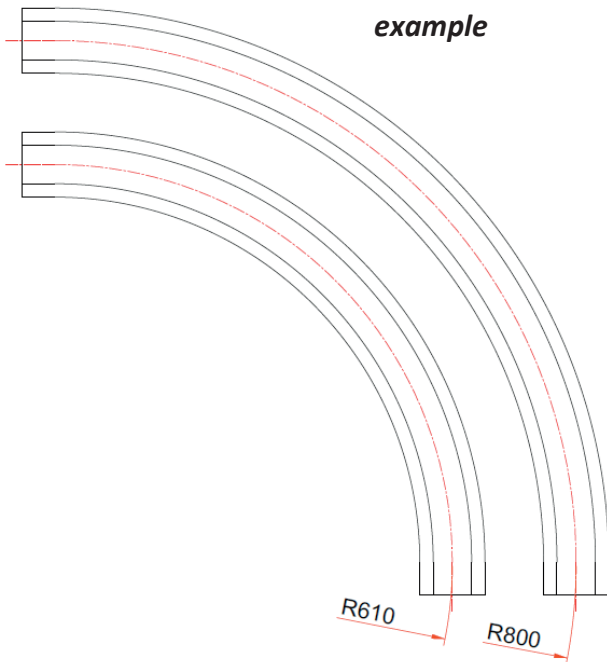
STRAIGHT SET (2 mt/each bar)	
ITEM CODE PE 500	ITEM CODE PE 1000R
395PE05M21K0450882TK	395PE10M21K0450882TK
STRAIGHT SET (2 mt/each bar)	
ITEM CODE PE 500	ITEM CODE PE 1000R
395PE05M21K0750882TK	395PE10M21K0750882TK
STRAIGHT SET (2 mt/each bar)	
ITEM CODE PE 500	ITEM CODE PE 1000R
395PE05M21K1000882TK	395PE10M21K1000882TK
STRAIGHT SET (2 mt/each bar)	
ITEM CODE PE 500	ITEM CODE PE 1000R
395PE05M21K1200882TK	395PE10M21K1200882TK
STRAIGHT SET (2 mt/each bar)	
ITEM CODE PE 500	ITEM CODE PE 1000R
395PE05M21K1500882TK	395PE10M21K1500882TK
STRAIGHT SET (2 mt/each bar)	
ITEM CODE PE 500	ITEM CODE PE 1000R
395PE05M21K1600882TK	395PE10M21K1600882TK

Chains guides

Guides for uni 1700



Double track example



STANDARD MATERIAL & COLOUR: black PE500 and PE1000R

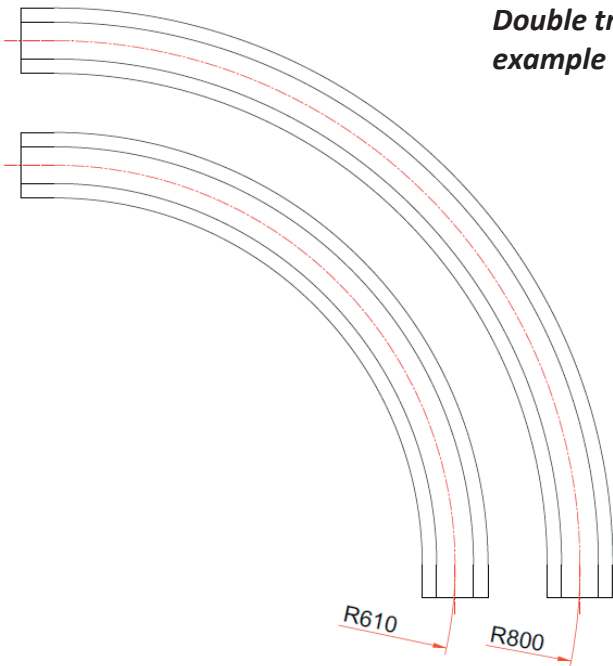
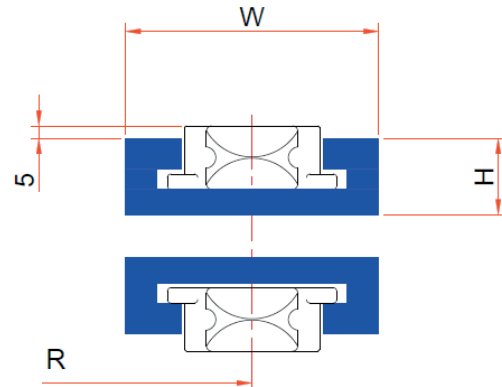
STANDARD FEATURES: - radius is in 90° angle
- straight in and out is 50mm

SUPPLY: a set is composed by carry and return (1 SET=2 PCS)

ON REQUEST: - other colours and materials
- other radius, in and out, section dimensions and angles

CURVE SET							STRAIGHT SET (2 mt bars/each)	
Type	Chain width	Radius R	Width	Thickness	ITEM CODE PE 500	ITEM CODE PE 1000R	ITEM CODE PE 500	ITEM CODE PE 1000R
			W	H				
1700	55	400	100	30	316PE05R04001K02171700K	316PE10R04001K02171700K	315PE05M21K02171700K	315PE10M21K02171700K
1700	55	610	100	30	316PE05R06101K02171700K	316PE10R06101K02171700K	315PE05M21K02101702K	315PE10M21K02101702K
1700	55	800	100	30	316PE05R08001K02171700K	316PE10R08001K02171700K	315PE05M21K02101702K	315PE10M21K02101702K

Guides for uni 1701 TAB



Double track example



STANDARD MATERIAL & COLOUR: black PE500 and PE1000R

STANDARD FEATURES: - radius is in 90° angle
- straight in and out is 50mm

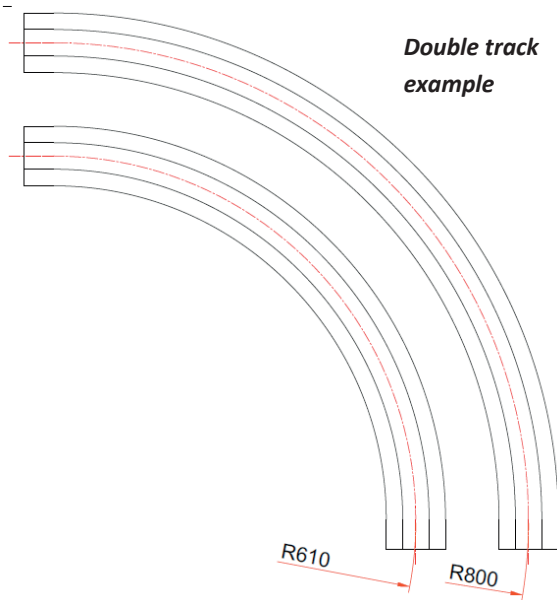
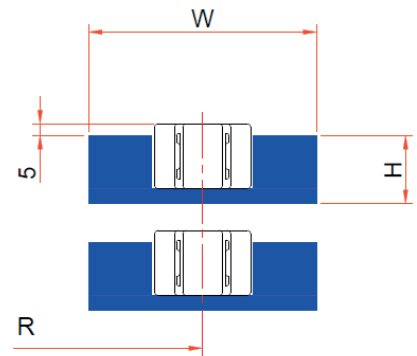
SUPPLY: a set is composed by carry and return (1 SET=2 PCS)

ON REQUEST: - other colours and materials
- other radius, in and out, section dimensions and angles

CURVE SET							STRAIGHT SET (2 mt/each bar)	
Type	Chain width	Radius R	Width		ITEM CODE PE 500	ITEM CODE PE 1000R	ITEM CODE PE 500	ITEM CODE PE 1000R
			W	H				
1701TAB	53,3	400	100	30	316PE05R04001K02101701TK	316PE10R04001K02171701TK	315PE05M21K02171701TK	315PE10M21K02171701TK
1701TAB	53,3	610	100	30	316PE05R06101K02101701TK	316PE10R06101K02171701TK	315PE05M21K02101701TK	315PE10M21K02101701TK
1701TAB	53,3	800	100	30	316PE05R08001K02101701TK	316PE10R08001K02171701TK	315PE05M21K02101701TK	315PE10M21K02101701TK

Chains guides

Guides for uni 2600 C / uni 2600 O



STANDARD MATERIAL & COLOUR :black PE500 and PE1000R

STANDARD FEATURES: - radius is in 90° angle
- straight in & out is 50mm

SUPPLY: a set is composed by carry and return(1 SET=2 PCS)

ON REQUEST: - other colours and materials
- other radius, in and out, section dimensions and angles

CURVE SET

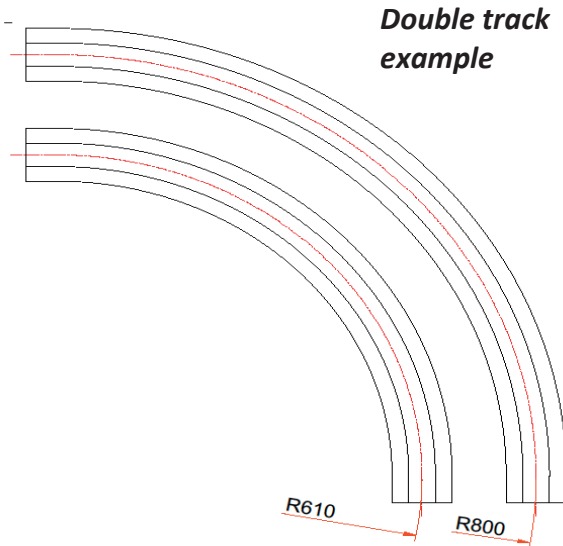
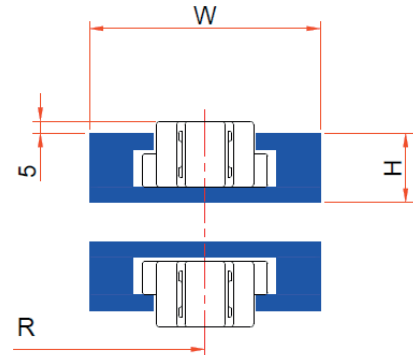
STRAIGHT SET (2 mt/each bar)

Type	Chain width	Radius R	Width	Thickness	ITEM CODE PE 500	ITEM CODE PE 1000R
			W	H		
2600	42	610	100	30	366PE05R06101K01652600CK	366PE10R06101K01652600CK
2600	42	800	100	30	366PE05R08001K01652600CK	366PE10R08001K01652600CK

ITEM CODE PE 500	ITEM CODE PE 1000R
365PE05M21K01652600CK	365PE10M21K01652600CK
365PE05M21K01652600CK	365PE10M21K01652600CK

Chains guides

Guides for uni 2600 TAB C / 2600 TAB O



Double track example



STANDARD MATERIAL & COLOUR: black PE500 and PE1000R
STANDARD FEATURES: - radius is in 90° angle
 - straight in and out is 50mm

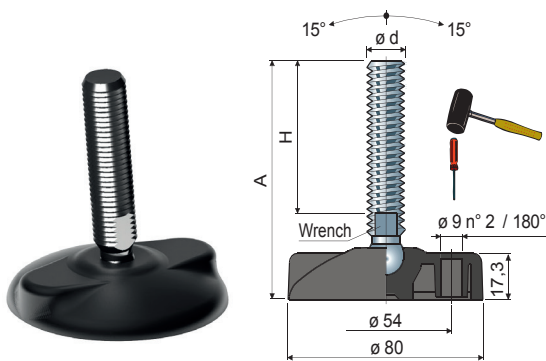
SUPPLY: a set is composed by carry and return(1 SET=2 PCS)
ON REQUEST: - other colours and materials
 - other radius, in and out, section dimensions and angles

CURVE SET						
Type	Chain width	Radius R	Width	Thickness	ITEM CODE PE 500	ITEM CODE PE 1000R
			W	H		
2600TAB	42	610	100	30	366PE05R06101K01652600TK	366PE10R06101K01652600TK
2600TAB	42	800	100	30	366PE05R08001K01652600TK	366PE10R08001K01652600TK

STRAIGHT SET (2 mt/each bar)	
ITEM CODE PE 500	ITEM CODE PE 1000R
365PE05M21K01652600TK	365PE10M21K01652600TK
365PE05M21K01652600TK	365PE10M21K01652600TK

Articulated feet $\varnothing 80$ (base in reinforced polyamide)

Art. 74



BASE MATERIALS

Reinforced polyamide black colour.

ON REQUEST

Bases: in reinforced polypropylene- other colours- with pre-bored fixing holes. Spindles with: sunk hexagon head-second wrench seat head- hexagon wrench seat-threads with other pitches and lengths. Box quantity not standard.

ACCESSORIES

Anti-slip pad

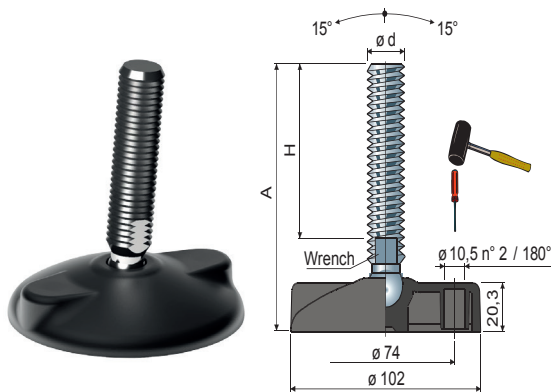
BOX QUANTITY

24 pieces

Spindle measures in mm				Spindle in nickel plated	Spindle in stainless steel AISI 304	Max static load (N)
$\varnothing d$	A	H	Wrench	Code	Code	
M8	74	45	6	74 / 2543	74 / 2542	12000
	94	65	6	74 / 2541	74 / 2540	
	136	107	6	74 / 2097	74 / 2096	
M10	66	35	8	74 / 2929	74 / 2928	14000
	101	70	8	74 / 2927	74 / 2926	
	146	115	8	74 / 2925	74 / 2924	
M12	76	43	10	74 / 2923	74 / 2922	15000
	96	63	10	74 / 2921	74 / 2920	
	111	77	10	74 / 2539	74 / 2538	
	126	93	10	74 / 2919	74 / 2918	
	156	123	10	74 / 2917	74 / 2916	
M14	96	61	12	74 / 2915	74 / 2914	16000
	126	91	12	74 / 2913	74 / 2912	
	151	116	12	74 / 2107	74 / 2106	
M16	97	60	13	74 / 2911	74 / 2910	19000
	127	90	13	74 / 2537	74 / 2536	
	142	105	13	74 / 2909	74 / 2908	
	162	125	13	74 / 2907	74 / 2906	
	192	155	13	74 / 2535	74 / 2534	
	202	165	13	74 / 2905	74 / 2904	
	242	205	13	74 / 16839	74 / 16838	
M20	127	86	17	74 / 2903	74 / 2902	21000
	157	116	17	74 / 2901	74 / 2900	
	182	141	17	74 / 2899	74 / 2898	
	247	206	17	74 / 2897	74 / 2896	
M24	137	96	19	74 / 2533	74 / 2532	23000
	163	122	19	74 / 2895	74 / 2894	
	193	152	19	74 / 2893	74 / 2892	
	223	182	19	74 / 2891	74 / 2890	
	341	300	19	74 / 2527	74 / 2526	

Articulated feet \varnothing 102 (base in reinforced polyamide)

Art.61



BASE MATERIALS

Reinforced polyamide black colour.

ON REQUEST

Bases: in reinforced polypropylene- other colours- with pre-bored fixing holes. Spindles with: sunk hexagon head-second wrench seat head- hexagon wrench seat-threads with other pitches and lengths. Box quantity not standard.

ACCESSORIES

Anti-slip pad

BOX QUANTITY

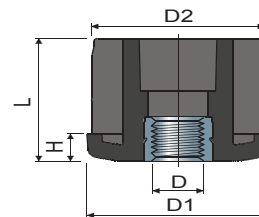
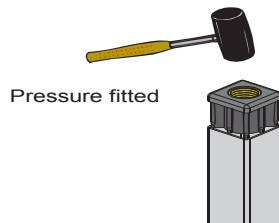
24 pieces

Spindle measures in mm

$\varnothing d$	A	H	Wrench	Spindle in nickel plated		Spindle in stainless steel AISI 304		Max static load (N)
				Code	Code			
M12	79	43	10	61 / 16833	61 / 16832	15000		
	99	63	10	61 / 16831	61 / 16830			
	114	78	10	61 / 16829	61 / 16828			
	129	93	10	61 / 16827	61 / 16826			
	159	123	10	61 / 16825	61 / 16824			
M14	99	61	12	61 / 16823	61 / 16822	18000		
	129	91	12	61 / 16821	61 / 16820			
	154	116	12	61 / 16819	61 / 16818			
M16	100	60	13	61 / 2889	61 / 2888	22000		
	130	90	13	61 / 2525	61 / 2524			
	145	105	13	61 / 2887	61 / 2886			
	165	125	13	61 / 2885	61 / 2884			
	195	155	13	61 / 2523	61 / 2522			
	205	165	13	61 / 2883	61 / 2882			
M20	245	205	13	61 / 16817	61 / 16816	24000		
	130	86	17	61 / 2881	61 / 2880			
	160	116	17	61 / 2879	61 / 2878			
	185	141	17	61 / 2877	61 / 2876			
M24	250	206	17	61 / 2875	61 / 2874	26000		
	140	96	19	61 / 2521	61 / 2520			
	166	122	19	61 / 2873	61 / 2872			
	196	152	19	61 / 2871	61 / 2870			
	226	182	19	61 / 2869	61 / 2868			
	344	300	19	61 / 2515	61 / 2514			

Threaded bushings(for square tubes)

Art. 31



Tube dimensions								Code	Max static load (N)
Outside (mm)	Thickness (mm)	Inside (mm)	Thread D	D1 (mm)	D2 (mm)	H (mm)	L (mm)		
40	1,5	37	M8	40	37	8	38	31 / 2061	7000
			M10	40	37	8	38	31 / 2758	7500
			M12	40	37	8	38	31 / 2757	8000
			M14	40	37	8	38	31 / 2756	8500
			M16	40	37	8	38	31 / 2755	9000
			M20	40	37	8	38	31 / 2754	9500

Guide rail clamp for round rail

Art.795



- MATERIALS**
- FEATURES**
- ON REQUEST**
- BOX QUANTITY**

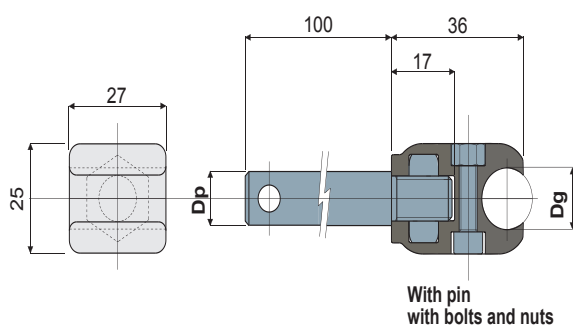
Clamp made of reinforced polyamide black colour; pin, bolts and nuts made of stainless steel AISI 304.

Supplied with or without support pin and with or without bolts and nuts.

Clamps: In reinforced polypropylene, other colours.
Box Quantity : According to your request.

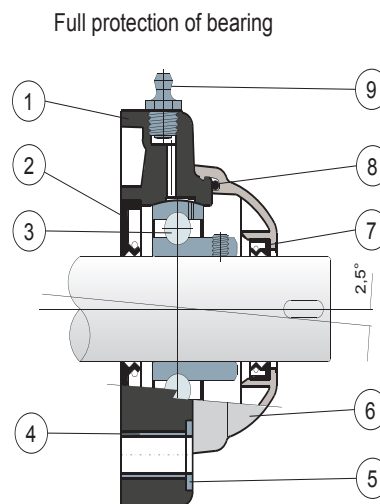
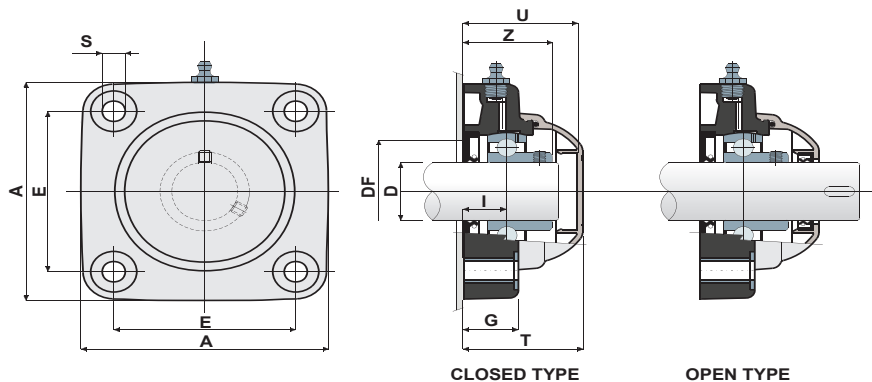
24 pieces.

Dp Pin diameter (mm)	Dg Rail diameter (mm)	With pin with bolts and nuts Code
12	12	795 / 19199



Square flanged bearing supports

Art. UCF/C



- Full protection of bearing
- 1) Support body made out of polyamide reinforced with glass fibers.
 - 2) Back gasket made out of NBR rubber for turning shaft seal
 - 3) Chrome steel or stainless steel bearing AISI 440C.
 - 4) Spacer for fixing reinforcement made out of stainless steel AISI 304.
 - 5) UNI 6592 support washer made out of stainless steel AISI 304.
 - 6) Protection cover made out of polypropylene (grey colour Ral 7042).
 - 7) Front gasket made out of NBR rubber for turning shaft seal
 - 8) OR gasket made out of NBR rubber
 - 9) Greaser for relubrication made out of nickel-plated brass.

Support dimensions respect ISO 3228 set of rules
 Maximum shaft alignment error 2,5°
 For further information please contact our technical office or sales department.

MATERIALS

Support made of PA + glass fiber black colour; chrome steel or stainless steel bearing; greaser made of nickel plated brass; reinforcement bushings and washers made of stainless steel AISI 304; gaskets made of NBR rubber; cover made of polypropylene, grey colour RAL 7042.

FEATURES

Full protection of bearing against external agents. Assembly with not shouldered shafts. Maximum shaft alignment error 2.5°.

ON REQUEST

Antibacterial executions and versions with polypropylene + glass fiber support; protection cover in different colours and with personalized brand.

BOX QUANTITY

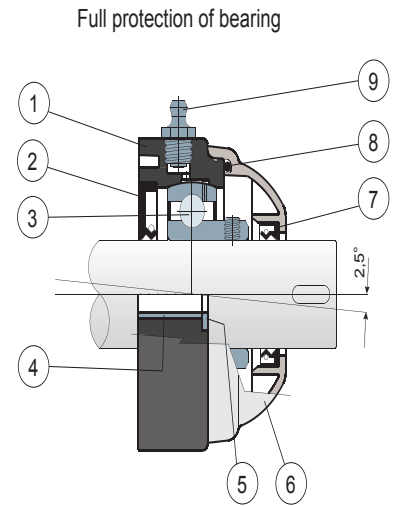
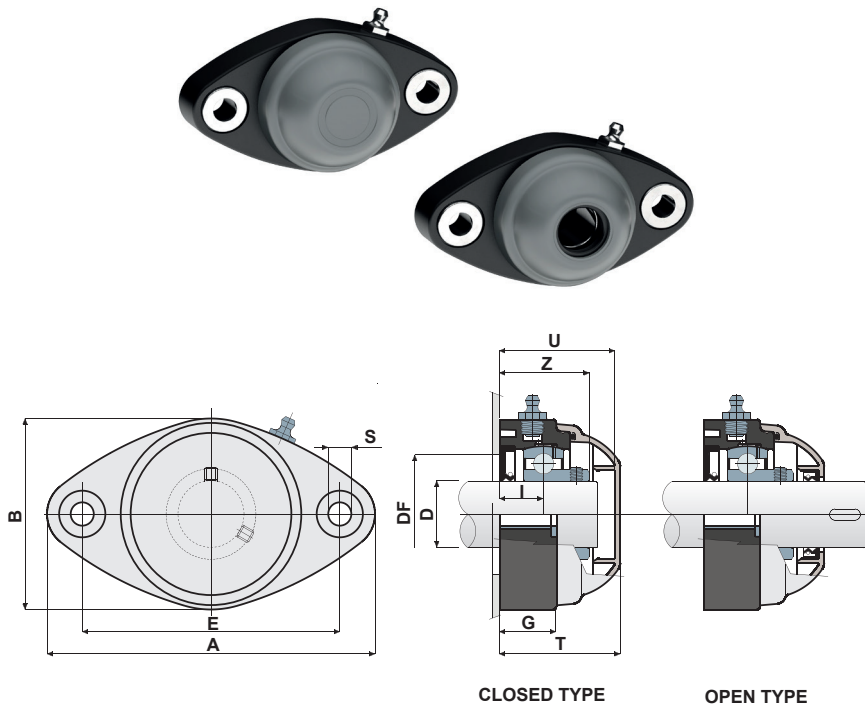
8 pieces

CHROME STEEL BEARING																
D	SERIES	CODES		DIMENSIONS (mm)								Bearing load (N)		Bearing support load (N)		
		Closed type	Open type	E	A	S	G	I	Z	U	T	DF Max	DF Min		C	C0
25	UCF 205 C	19942	19939	70	99	10,5	22	17	36	47	49	50	45	14000	7800	17000
30	UCF 206 C	19990	19994	83	113	10,5	26	20	41	54	56	60	50	19500	11300	17500

STAINLESS STEEL BEARING AISI 440C																
D	SERIES	CODES		DIMENSIONS (mm)								Bearing load (N)		Bearing support load (N)		
		Closed type	Open type	E	A	S	G	I	Z	U	T	DF Max	DF Min		C	C0
25	UCF 205 C	19554	19550	70	99	10,5	22	17	36	47	49	50	45	9150	7800	17000
30	UCF 206 C	19621	19622	83	113	10,5	26	20	41	54	56	60	50	12500	11200	17500

Oval flanged bearing supports

Art. UCFL/C



- MATERIALS**
- FEATURES**
- ON REQUEST**
- BOX QUANTITY**

Support made out of PA + glass fiber black colour; chrome steel or stainless steel bearing; greaser made out of nickel plated brass; reinforcement bushings and washers made out of stainless steel AISI 304; gaskets made out of NBR rubber; cover made out of polypropylene, grey colour RAL 7042.

Full protection of bearing against external agents. Assembly with not shouldered shafts. Maximum shaft alignment error 2.5°.

Antibacterial executions and versions with polypropylene + glass fiber support; protection cover in different colours and with personalized brand.

8 pieces

- 1) Support body made out of polyamide reinforced with glass fibers.
- 2) Back gasket made out of NBR rubber for turning shaft seal
- 3) Chrome steel or stainless steel bearing AISI 440C.
- 4) Spacer for fixing reinforcement made out of stainless steel AISI 304.
- 5) UNI 6592 support washer made out of stainless steel AISI 304.
- 6) Protection cover made out of polypropylene (grey colour Ral 7042).
- 7) Front gasket made out of NBR rubber for turning shaft seal
- 8) OR gasket made out of NBR rubber
- 9) Greaser for relubrication made out of nickel-plated brass.

Support dimensions respect ISO 3228 set of rules. Maximum shaft alignment error 2,5°
For further information please contact our technical office or sales department.

CHROME STEEL BEARING																	
D	SERIES	CODES		DIMENSIONS (mm)									Bearing load (N)		Bearing support load (N)		
		Closed	Open	E	A	B	S	G	I	Z	U	T	DF			C	C0
													Max	Min			
25	UCFL 205 C	19932	19928	99	131	72	10,5	22	17	36	47	49	50	45	14000	7800	10000
30	UCFL 206 C	19931	19927	117	149	86	10,5	26	20	41	54	56	60	50	19500	11300	13000

STAINLESS STEEL BEARING AISI 440C																	
D	SERIES	CODES		DIMENSIONS (mm)									Bearing load (N)		Bearing support load (N)		
		Closed type	Open type	E	A	B	S	G	I	Z	U	T	DF			C	C0
													Max	Min			
25	UCFL 205 C	18935	18934	99	131	72	10,5	22	17	36	47	49	50	45	9150	7800	10000
30	UCFL 206 C	18933	18932	117	149	86	10,5	26	20	41	54	56	60	50	12500	11200	13000

Support base (tripod)

Art.799



MATERIALS

Base made of reinforced polyamide black colour; threaded bushing made of brass; fixing bolts and nuts made of stainless steel AISI 304 or nickel plated.

FEATURES

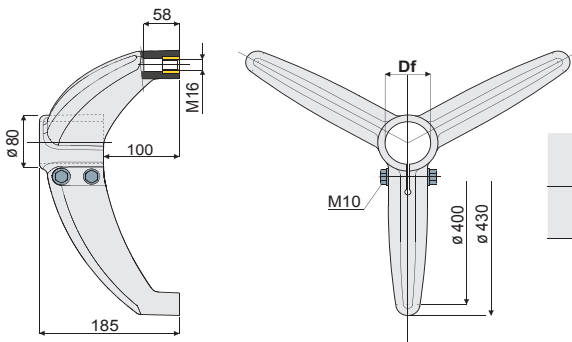
Max tightening torque 3,6 Kg·m.

ON REQUEST

Bases: In reinforced polypropylene, other colours.
Box Quantity : According to your request.
Assembling of: Bolts and nuts.

BOX QUANTITY

8 pieces



Df	Nickel plated bolts and nuts	Stainless steel AISI 304 bolts and nuts	Tube unthreading load	Max static load allowed
Bore for tubes of (mm)	(Inches)	Code	Code	(N)
48,3	1 1/2	799 / 19409	799 / 19408	9600
				15800

Support base (bipod at 120°)

Art.798



MATERIALS

Base made of reinforced polyamide black colour; threaded bushing made of brass; fixing bolts and nuts made of stainless steel AISI 304 or nickel plated steel.

FEATURES

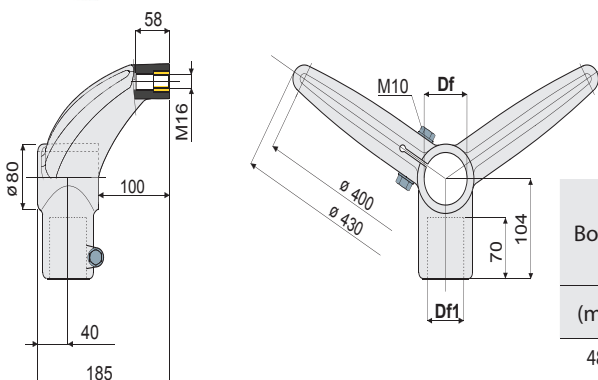
Max tightening torque 3,6 Kg·m.

ON REQUEST

Bases: In reinforced polypropylene, other colours.
Box Quantity : According to your request.
Assembling of: Bolts and nuts.

BOX QUANTITY

8 pieces.



Df	Df1	Nickel plated bolts and nuts	Stainless steel AISI 304 bolts and nuts	Tube unthreading load	Max static load allowed
Bore for tubes of (mm)	Bore for tubes of (mm)	Code	Code	(N)	(N)
48,3	48,3	798 / 19383	798 / 19382	9600	15800
1 1/2	1 1/2				

Support base (bipod at 180°)

Art.797



MATERIALS

FEATURES

ON REQUEST

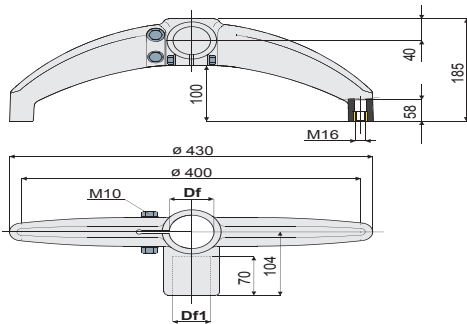
BOX QUANTITY

Base made of reinforced polyamide black colour; threaded bushing made of brass; fixing bolts and nuts made of stainless steel AISI 304 or nickel plated.

Max tightening torque 3,6 Kg·m.

Bases: In reinforced polypropylene, other colours.
Box Quantity : According to your request.
Assembling of: Bolts and nuts.

8 pieces



Df Bore for tubes of		Df1 Bore for tubes of		Nickel plated bolts and nuts	Stainless steel AISI 304 bolts and nuts	Tube unthreading load	Max static load allowed
(mm)	(Inches)	(mm)	(Inches)	Code	Code	(N)	(N)
48,3	1"1/2	48,3	1"1/2	797 / 19373	797 / 19372	9600	15800

Support base (bipod at 180°)

Art. 796



MATERIALS

FEATURES

ON REQUEST

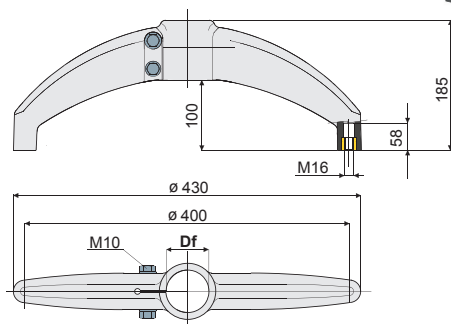
BOX QUANTITY

Base made of reinforced polyamide black colour; threaded bushing made of brass; fixing bolts and nuts made of stainless steel AISI 304 or nickel plated .

Max tightening torque 3,6 Kg·m.

Bases: In reinforced polypropylene, other colours.
Box Quantity : According to your request.
Assembling of: Bolts and nuts.

8 pieces



Df Bore for tubes of		Df1 Bore for tubes of		Nickel plated bolts and nuts	Stainless steel AISI 304 bolts and nuts	Tube unthreading load	Max static load allowed
(mm)	(Inches)	(mm)	(Inches)	Code	Code	(N)	(N)
48,3	1"1/2	48,3	1"1/2	796 / 19365	796 / 19364	9600	15800

Side mounting top bracket

Art.792



MATERIALS

Top bracket made out of reinforced polyamide black colour; bolts and nuts made out of stainless steel AISI 304 or nickel plated.

FEATURES

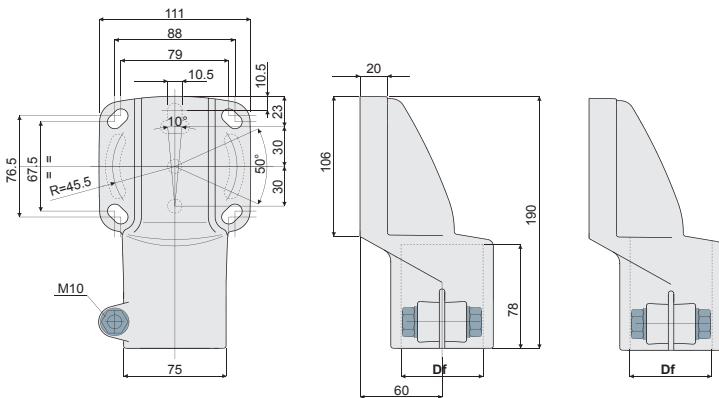
Max tightening torque 3,6 Kg·m.

ON REQUEST

Top brackets: In reinforced polypropylene, other colours.
Box Quantity : According to your request.
Assembling of: Bolts and nuts.

BOX QUANTITY

8 pieces



Df	Nickel plated bolts and nuts	Stainless steel AISI 304 bolts and nuts
Bore for tubes of (mm)	Code	Code
48,3	792 / 19207	792 / 19206

Connection joint

Art.789



MATERIALS

Joint made of reinforced polyamide black colour; bolts and nuts made of stainless steel AISI 304 or nickel plated.

FEATURES

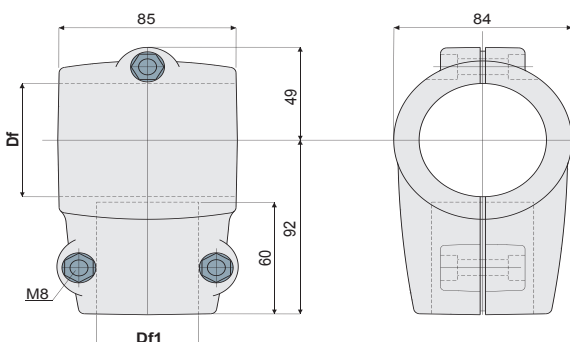
Max tightening torque 2 Kg·m.

ON REQUEST

Joints: In reinforced polypropylene, other colours.
Box Quantity : According to your request.
Assembling of: Bolts and nuts.

BOX QUANTITY

8 pieces.



Df	Df1	Nickel plated bolts and nuts	Stainless steel AISI 304 bolts and nuts
Bore for tubes of (mm)	Bore for tubes of (mm)	Code	Code
48,3	48,3	789 / 19357	789 / 19356

Bearing head

Art.787



MATERIALS

Bearing head made of reinforced polyamide black colour; bolts and nuts made of stainless steel AISI 304 or nickel plated steel.

FEATURES

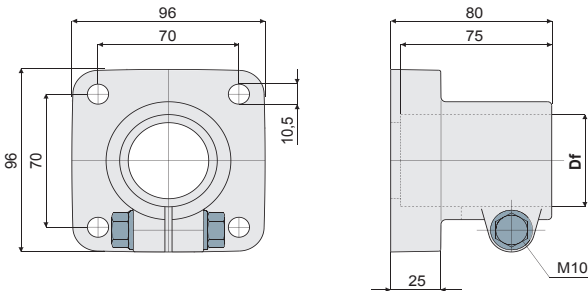
Max tightening torque 3,6 Kg-m.

ON REQUEST

Bearing heads: In reinforced polypropylene, other colours.
Box Quantity : According to your request.
Assembling of: Bolts and nuts.

BOX QUANTITY

8 pieces



Df Bore for tubes of (mm)	(Inches)	Nickel plated bolts and nuts Code	Stainless steel AISI 304 bolts and nuts Code
48,3	1 1/2	787 / 19349	787 / 19348

Guide rail bracket

Art. 786



MATERIALS

Bracket and knob made of reinforced polyamide black colour; hexagonal insert made of nickel plated brass; eyebolt, nut and washer made of stainless steel AISI 304.

FEATURES

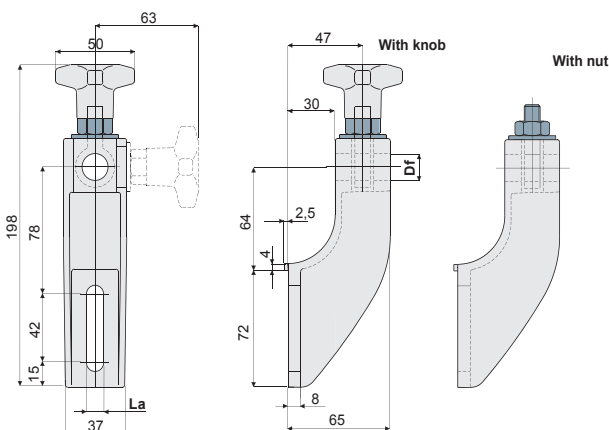
Max tightening torque 4 Kg-m.

ON REQUEST

Brackets: In reinforced polypropylene, other colours.
Box Quantity : According to your request.

BOX QUANTITY

24 pieces



La (11 mm slot)	
Df Bore for pin of (mm)	With nut Code
12	786 / 19346

Guide rail bracket (reinforced type with adjustable head)

Art. 756



MATERIALS

Bracket and knob made of reinforced polyamide black colour; hexagonal insert made of nickel plated brass; eyebolt, nut and washer made of stainless steel AISI 304.

FEATURES

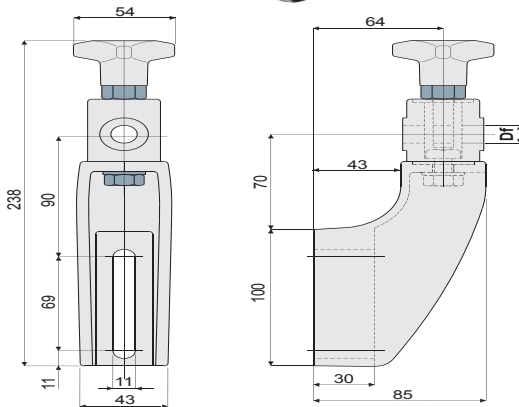
To be used for heavy applications, suitable in conveyors with more ways, both in accumulation and curve. Max tightening torque 4 Kg-m.

ON REQUEST

Brackets: In reinforced polypropylene, other colours.
Box Quantity : According to your request.

BOX QUANTITY

24 pieces



Df Bore for pin of (mm)	Code
12	756 / 18996

Guide rail bracket reinforced type with adjustable head

Art.744



MATERIALS

Bracket and head made of reinforced polyamide black colour; eyebolt, nut and washer made of stainless steel AISI 304.

FEATURES

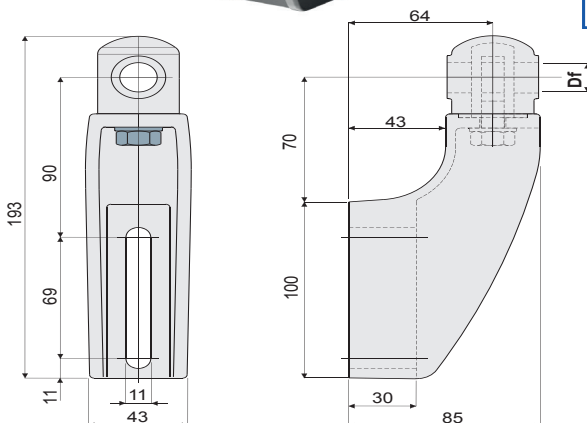
To be used for heavy applications, suitable in conveyors with more ways, both in accumulation and curve. Max tightening torque 4 Kg-m.

ON REQUEST

Brackets: In reinforced polypropylene, other colours.
Box Quantity : According to your request.

BOX QUANTITY

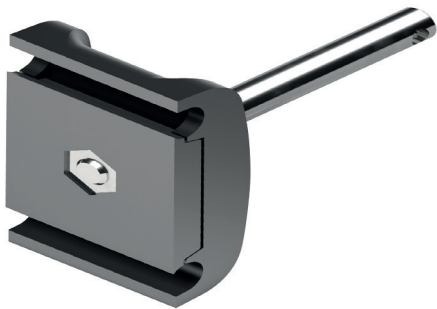
24 pieces



Df Bore for pin of (mm)	Code
12	744 / 18991

Guide rail clamp for round rails

Art.770



MATERIALS

Clamp made of reinforced polyamide black colour; pin, nut and washer made of stainless steel AISI 304.

FEATURES

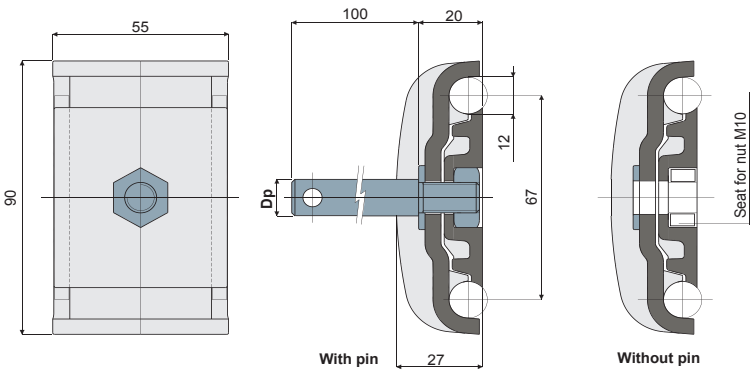
Supplied with or without support pin.

ON REQUEST

Clamps: In reinforced polypropylene, other colours.
Box Quantity : According to your request.

BOX QUANTITY

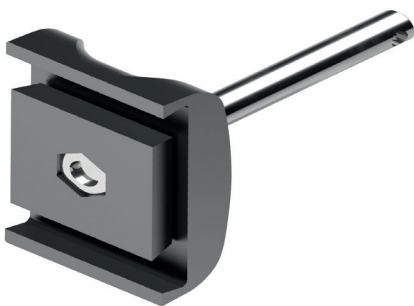
24 pieces.



Dp Pin diameter (mm)	With pin Code
12	770 / 19318

Guide rail clamp for trapezoidal rails

Art.769



MATERIALS

Clamp made of reinforced polyamide black colour; pin, nut and washer made of stainless steel AISI 304.

FEATURES

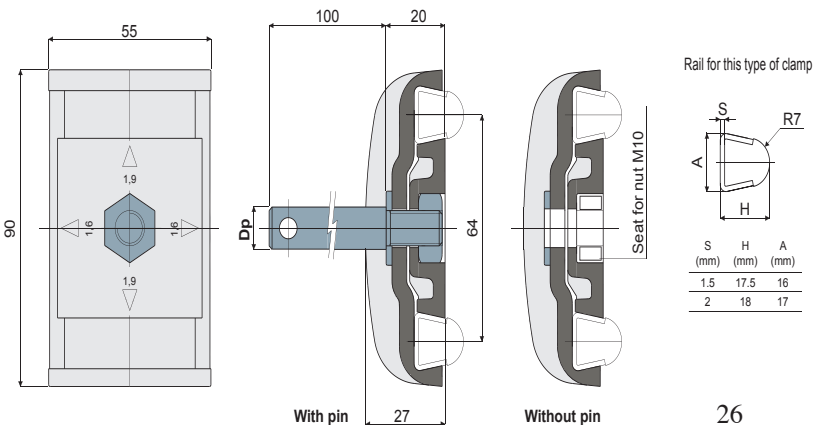
Supplied with or without support pin. This part can be used with rails with thickness of 1,5 and 2 mm, by rotating or 90° the central plate.

ON REQUEST

Clamps: In reinforced polypropylene, other colours.
Box Quantit : According to your request.

BOX QUANTITY

24 pieces.



Dp Pin diameter (mm)	With pin Code
12	769 / 19315

Rail for this type of clamp

S (mm)	H (mm)	A (mm)
1.5	17.5	16
2	18	17

Guide rail clamp for round rails

Art.768



MATERIALS

Clamp made of reinforced polyamide black colour; screws and nuts made of stainless steel AISI 304.

FEATURES

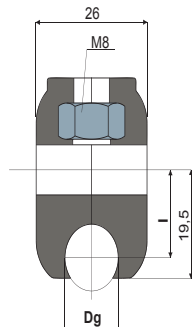
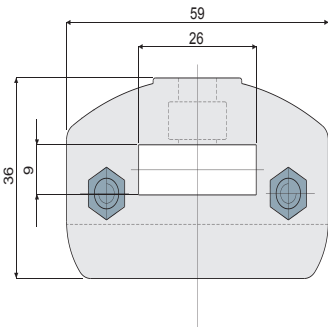
Supplied assembled. To be used with flat support with sizes 25x8 mm.

ON REQUEST

Clamps: In reinforced polypropylene, other colours.
Box Quantity : According to your request.

BOX QUANTITY

24 pieces.



Dg Rail diameter (mm)	l (mm)	Code
12	15	768 / 19312

Guide rail clamp for trapezoidal rails

Art.767



MATERIALS

Clamp made of reinforced polyamide black colour; screws and nuts made of stainless steel AISI 304.

FEATURES

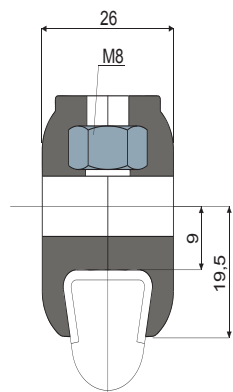
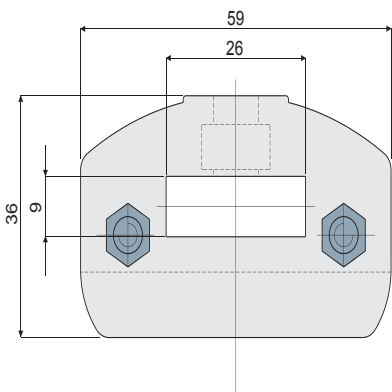
Supplied assembled. To be used with flat support with sizes 25x8 mm.

ON REQUEST

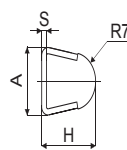
Clamps: In reinforced polypropylene, other colours.
Box Quantity : According to your request.

BOX QUANTITY

24 pieces.



Rail for this type of clamp



S (mm)	H (mm)	A (mm)
1.5	17.5	16
2	18	17

Code
767 / 19311

Cross clamp

Art.760



MATERIALS

Clamp made of reinforced polyamide black colour; screws and nuts made of stainless steel AISI 304.

FEATURES

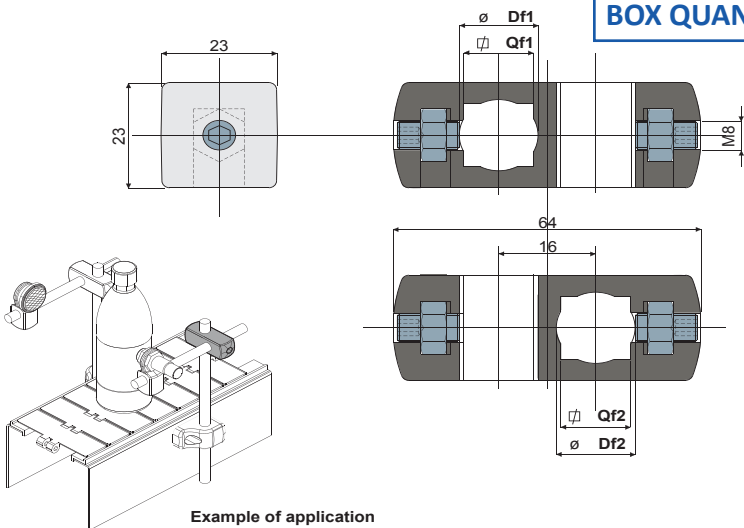
This part can be used with round and square pins either.

ON REQUEST

Clamps: With different bores sizes, in reinforced polypropylene, other colours.
Box Quantity : According to your request.

BOX QUANTITY

24 pieces.



Example of application

Bore for pin of		Bore for pin of		Code
Df1 round (mm)	Qf1 square (mm)	Df2 round (mm)	Qf2 square (mm)	
12	10	12	10	760 / 19005

Clamp "T- type"

Art. 761



MATERIALS

Clamp made of reinforced polyamide black colour; screw and nuts made of stainless steel AISI 304.

FEATURES

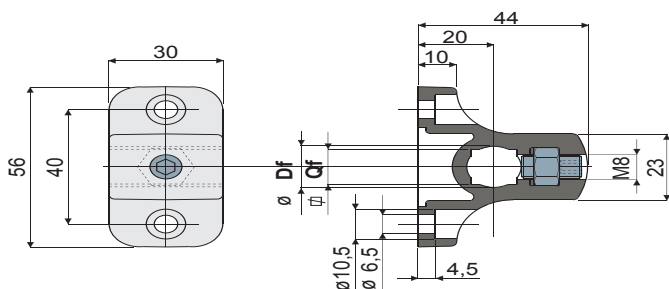
This part can be used with round and square pins either.

ON REQUEST

Clamps: With different bores sizes, in reinforced polypropylene, other colours.
Box Quantity : According to your request.

BOX QUANTITY

24 pieces.



Bore for pin of		Code
Df round (mm)	Qf square (mm)	
12	10	761 / 19013

Clamp support for photocells for photocells and reflectors

Art.759



MATERIALS

Clamp made of reinforced polyamide black colour; screw and nuts made of stainless steel AISI 304.

FEATURES

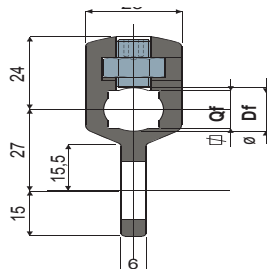
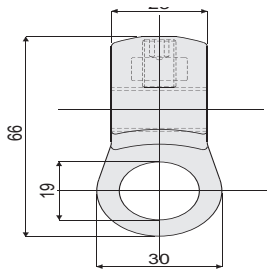
This part can be used with either round and square pins.

ON REQUEST

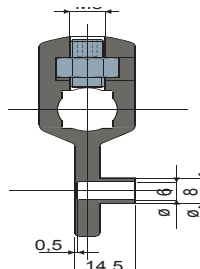
Clamps: In reinforced polypropylene, other colours.
Box Quantity : According to your request.

BOX QUANTITY

24 pieces.



Type 1 (For photocells)

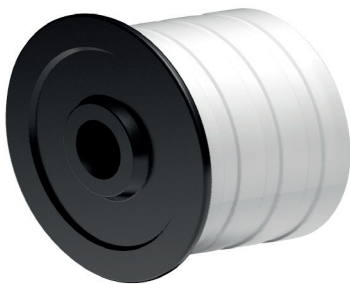


Type 2 (For reflectors)

Bore for pin of		Type 1 (for photo-cells)	Type 2 (for reflectors)
Df round (mm)	Qf square (mm)	Code	Code
12	10	759 / 19001	759 / 19000

Roller with rubber for chain return with flange

Art.750



MATERIALS

Internal part is made of polyamide black colour; external rubber is made of PVC grey colour 65 shore.

FEATURES

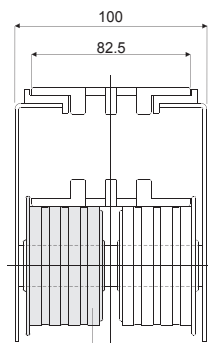
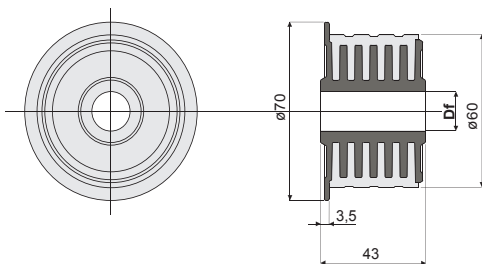
This roller is completely closed, total lack of internal cavities to obtain the maximum level of cleanability and noiselessness during working operations

ON REQUEST

Rollers: Special bores, other colours.
Box Quantity : According to your request.

BOX QUANTITY

48 pieces



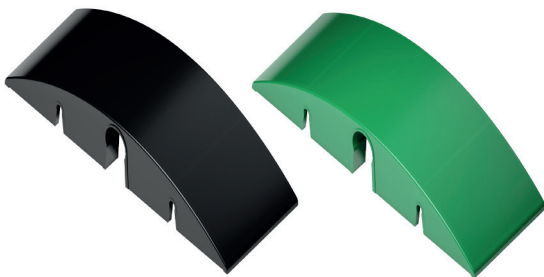
Part.249

Example of application

Df Bore for pin of (mm)	Code
20	750 / 17975

Self-adjusting sliding shoe for chain return

Art.732



MATERIALS

Sliding shoe is made of polyamide black colour or of polyethylene green colour.

FEATURES

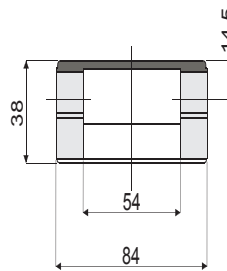
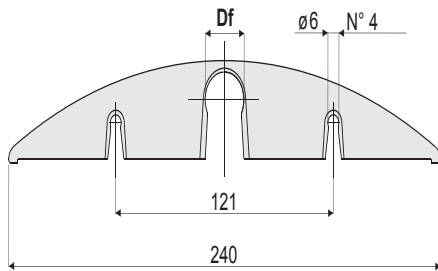
To be assembled in the chain return near to the sprocket. Snap-on assembly.

ON REQUEST

Sliding shoes: Other bore sizes, and colours.
Box Quantity : According to your request.

BOX QUANTITY

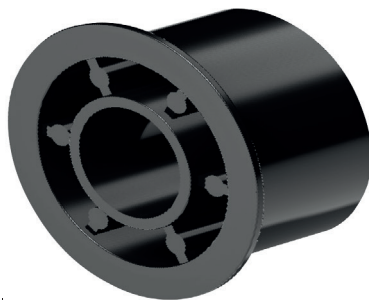
12 pieces



Df Bore for pin of (mm)	Polyamide (black colour)	Polyethylene (green colour)
	Code	Code
20	732 / 17960	732 / 17186

Roller for chain return with flange

Art.726



MATERIALS

Roller made of polyamide black colour.

FEATURES

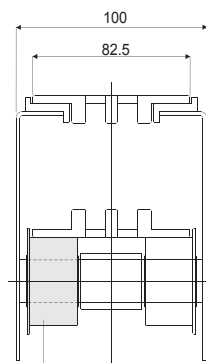
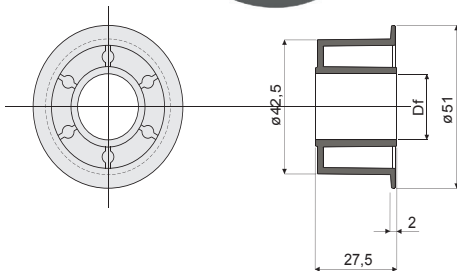
To be assembled in the chain return.

ON REQUEST

Rollers: Special bores, other colours.
Box Quantity : According to your request.

BOX QUANTITY

96 pieces.

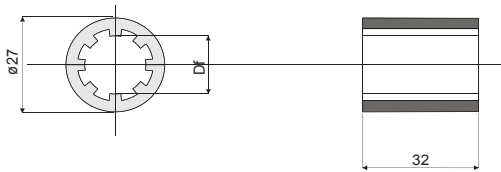


Df Bore for pin of (mm)	Code
16	726 / 17950

Part.273 Example of application

Spacer for rollers for chains return

Art.724



MATERIALS

Roller made of polyamide black colour.

FEATURES

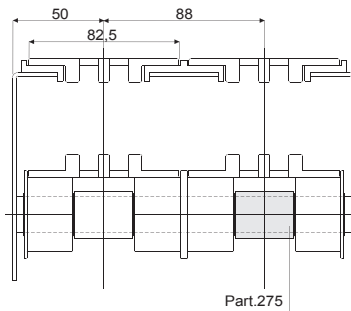
To be assembled in the chain return.

ON REQUEST

Rollers: Special bores, other colours.
Box Quantity : According to your request.

BOX QUANTITY

96 pieces.

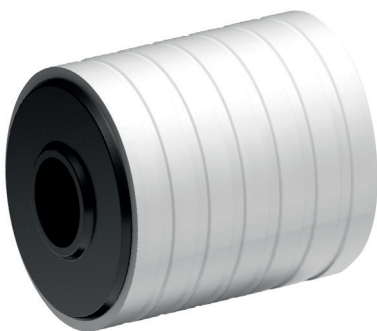


Example of application

Df Bore for pin of (mm)	Code
16	724 / 17942

Roller with rubber for chain return without flange

Art.706



MATERIALS

Internal part is made of polyamide black colour; external rubber is made of PVC grey colour 65 shore.

FEATURES

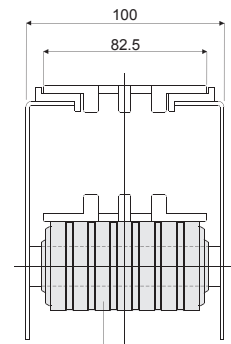
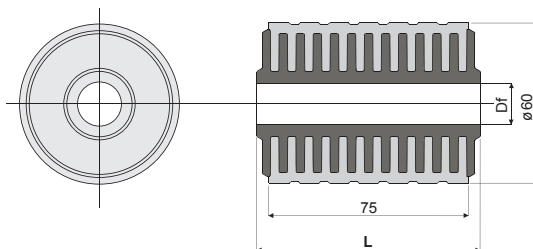
This roller is completely closed, total lack of internal cavities to obtain the maximum level of cleanability and noiselessness during working operations

ON REQUEST

Rollers: Special bores, other colours.
Box Quantity : According to your request.

BOX QUANTITY

48 pieces



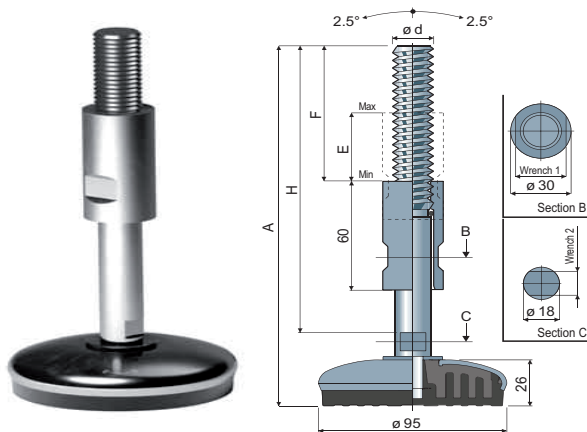
Part.293

Example of application

Df Bore for pin of (mm)	L = 84 mm Code
20	706 / 17412

Adjustable feet \varnothing 95 (base in stainless steel)

Art. 896



BASE MATERIALS

Internal part made of reinforced polyamide; external covering made of stainless steel AISI 304; anti-slip pad made of soft VC 68 Shore black colour.

ON REQUEST

Spindles with: Sunk hexagon head, second wrench seat head, hexagon wrench seat, threads with other pitches and lengths.
Assembling of: Nuts • washers.

ACCESSORIES

Comoulded anti-slip pad allows a perfect adherence with steel base. Consequent absence of internal cavities makes foot extremely cleanable. The threaded insert guarantees the protection of the spindle the head.

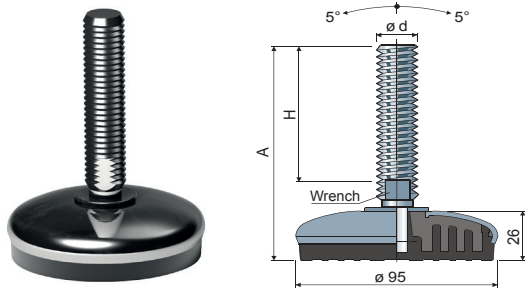
BOX QUANTITY

8 pieces

\varnothing d	A (mm)	H (mm)	F (mm)	E (mm)	Wrench 1 (mm)	Wrench 2 (mm)	Spindle and base in stainless steel AISI 304 Code	Max static load (N)
M20	200	159	73	39	25	13	896 / 16534	27000

Adjustable feet \varnothing 95 (base in stainless steel)

Art.896



BASE MATERIALS

Internal part made of reinforced polyamide; external covering made of stainless steel AISI304; anti-slip pad made of soft VC 68 shore black colour

ON REQUEST

Spindles with:sunk hexagon head-second wrench seat head- hexagon wrench seat-threads with other pitches and lengths. Box quantity not standard

ACCESSORIES

Comoulded anti-slip pad allows a perfect adherence with steel base. Consequent absence of internal cavities makes foot extremely cleanable

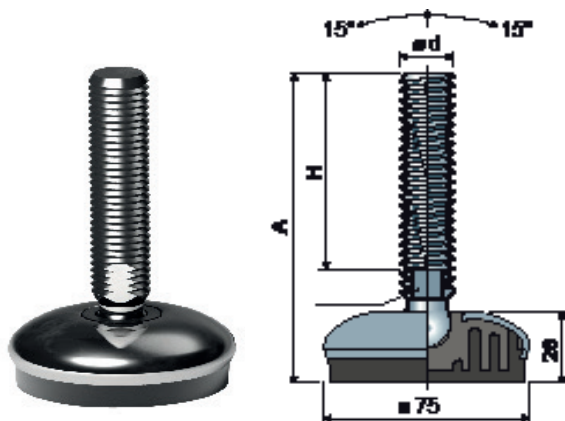
BOX QUANTITY

8 pieces

\varnothing d	A (mm)	H (mm)	Wrench (mm)	Spindle and base in stainless steel AISI 304 Code	Max static load (N)
M20	153	107	17	896 / 16941	27000

Articulated feet \varnothing 75 (base in stainless steel)

Art.892



BASE MATERIALS

Internal part made of reinforced polyamide; external covering made of stainless steel AISI 304; anti-slip pad made of soft VC 68 shore black colour

ON REQUEST

Spindles with: Sunk hexagon head • second wrench seat head • hexagon wrench seat • threads with other pitches and lengths. Box quantity : Not standard.
Assembling of: Nuts • washers.

ACCESSORIES

Comoulded anti-slip pad allows a perfect adherence with steel base. Consequent absence of internal cavities makes foot extremely cleanable.

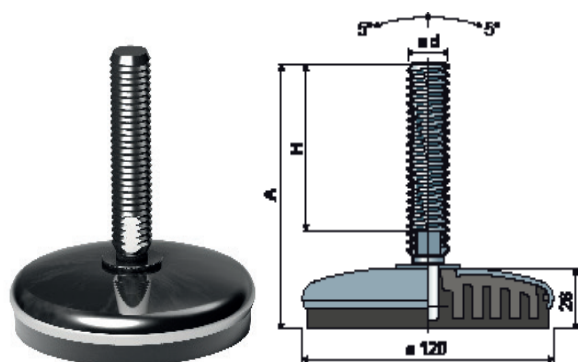
BOX QUANTITY

8 pieces.

Spindle measures in mm				Spindle and base in stainless steel AISI 304	
$\varnothing d$	A	H	Wrench	Code	Max static load (N)
M16	133	90	13	892 / 16474	19000

Articulated feet \varnothing 120 (base in stainless steel)

Art. 889



BASE MATERIALS

Internal part made of reinforced polyamide; external covering made of stainless steel AISI 304; anti-slip pad made of soft VC 68 shore black colour.

ON REQUEST

Spindles with: Sunk hexagon head • second wrench seat head • hexagon wrench seat • threads with other pitches and lengths. Box quantity : Not standard.
Assembling of: Nuts • washers.

ACCESSORIES

Comoulded anti-slip pad allows a perfect adherence with steel base. Consequent absence of internal cavities makes foot extremely cleanable.

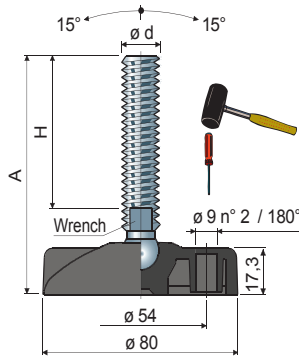
BOX QUANTITY

8 pieces

$\varnothing d$	A (mm)	H (mm)	Wrench (mm)	Spindle and base in stainless steel AISI 304	
				Code	Max static load (N)
M24	176	127	19	889 / 16412	30000

Articulated feet $\varnothing 80$ (base in reinforced polyamide)

Art. 74B



- BASE MATERIALS**
- ON REQUEST**
- ACCESSORIES**
- BOX QUANTITY**

Reinforced polyamide blue colour.

Bases: in reinforced polypropylene- other colours- with pre-bored fixing holes. Spindles with: sunk hexagon head-second wrench seat head- hexagon wrench seat-threads with other pitches and lengths. Box quantity not standard.

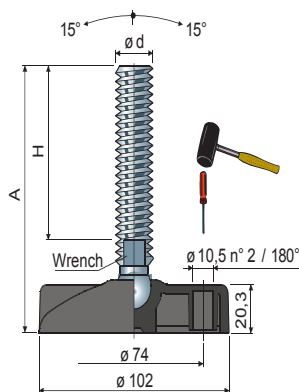
Anti-slip pad

24 pieces

$\varnothing d$	A (mm)	H (mm)	Wrench (mm)	Spindle and base in reinforced polyamide Code	Max static load (N)
M16	104	67	24	74B/ 2370	7000
M20	177	140	24	74B / 19837	7500

Articulated feet $\varnothing 102$ (base in reinforced polyamide)

Art.61B



- BASE MATERIALS**
- ON REQUEST**
- ACCESSORIES**
- BOX QUANTITY**

Reinforced polyamide blue colour.

Bases: in reinforced polypropylene- other colours- with pre-bored fixing holes. Spindles with: sunk hexagon head-second wrench seat head- hexagon wrench seat-threads with other pitches and lengths. Box quantity not standard.

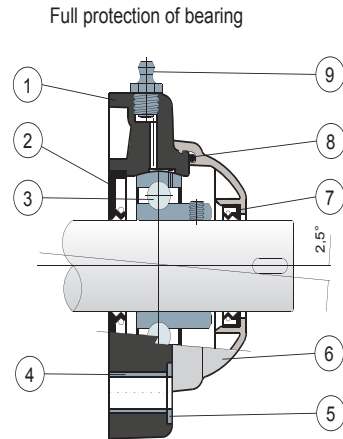
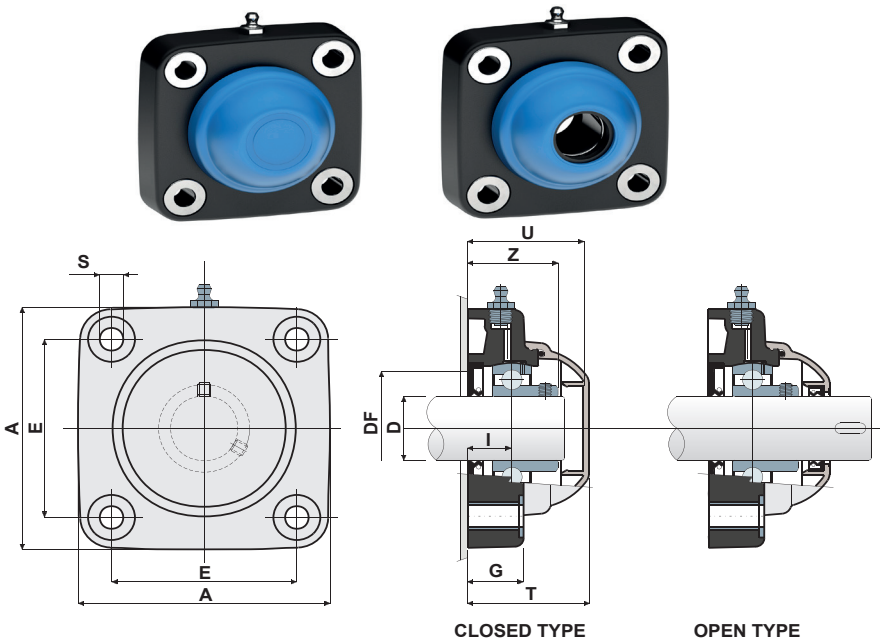
Anti-slip pad

24 pieces

$\varnothing d$	A (mm)	H (mm)	Wrench (mm)	Spindle and base in reinforced polyamide Code	Max static load (N)
M16	107	67	24	61B / 2369	7000
M20	180	140	24	61B / 19844	7500

Square flanged bearing supports

Art. UCF /CB



MATERIALS

Support made of PA + glass fiber black colour; chrome steel or stainless steel bearing; greaser made of nickel plated brass; reinforcement bushings and washers made of stainless steel AISI 304; gaskets made of NBR rubber; cover made of polypropylene, grey colour RAL 7042.

FEATURES

Full protection of bearing against external agents. Assembly with not shouldered shafts. Maximum shaft alignment error 2.5°.

ON REQUEST

Antibacterial executions and versions with polypropylene + glass fiber support; protection cover in different colours and with personalized brand.

BOX QUANTITY

8 pieces

- 1) Support body made out of polyamide reinforced with glass fibers.
- 2) Back gasket made out of NBR rubber for turning shaft seal
- 3) Chrome steel or stainless steel bearing AISI 440C.
- 4) Spacer for fixing reinforcement made out of stainless steel AISI 304.
- 5) UNI 6592 support washer made out of stainless steel AISI 304.
- 6) Protection cover made out of polypropylene (grey colour Ral 7042).
- 7) Front gasket made out of NBR rubber for turning shaft seal
- 8) OR gasket made out of NBR rubber
- 9) Greaser for relubrication made out of nickel-plated brass.

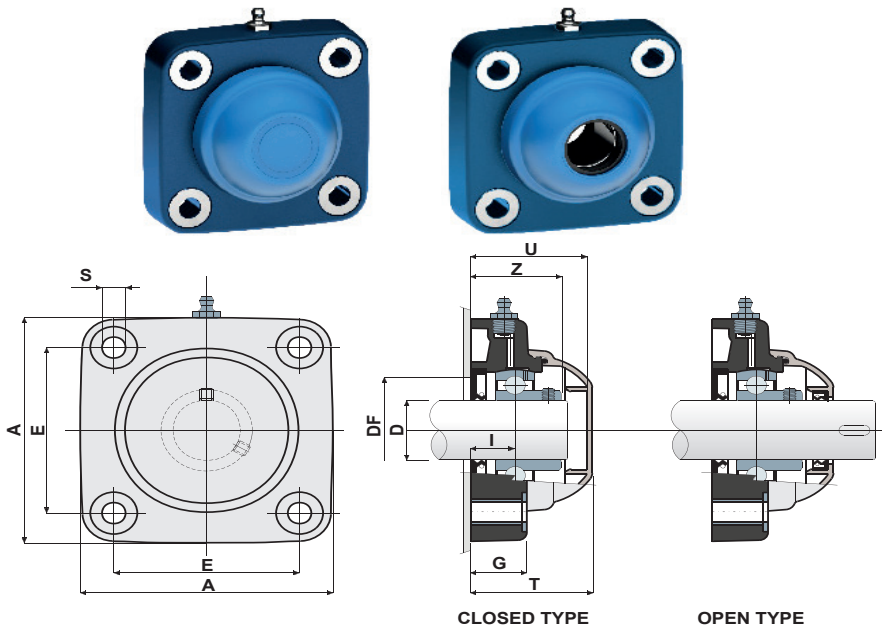
Support dimensions respect ISO 3228 set of rules
Maximum shaft alignment error 2,5°
For further information please contact our technical office or sales department.

STAINLESS STEEL BEARING AISI 440C

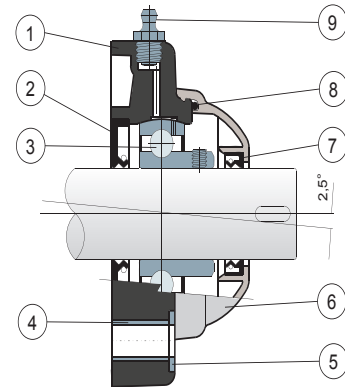
D	SERIES	CODES		DIMENSIONS (mm)								Bearing load (N)		Bearing support load (N)		
		Closed type	Open type	E	A	S	G	I	Z	U	T	DF Max	DF Min		C	C0
25	UCF 205 CB	19554B	19550B	70	99	10,5	22	17	36	47	49	50	45	9150	7800	17000
30	UCF 206 CB	19621B	19622B	83	113	10,5	26	20	41	54	56	60	50	12500	11200	17500

Square flanged bearing supports

Art. UCF /CBB



Full protection of bearing



- 1) Support body made out of polyamide reinforced with glass fibers.
- 2) Back gasket made out of NBR rubber for turning shaft seal
- 3) Chrome steel or stainless steel bearing AISI 440C.
- 4) Spacer for fixing reinforcement made out of stainless steel AISI 304.
- 5) UNI 6592 support washer made out of stainless steel AISI 304.
- 6) Protection cover made out of polypropylene (grey colour Ral 7042).
- 7) Front gasket made out of NBR rubber for turning shaft seal
- 8) OR gasket made out of NBR rubber
- 9) Greaser for relubrication made out of nickel-plated brass.

Support dimensions respect ISO 3228 set of rules
 Maximum shaft alignment error 2,5°
 For further information please contact our technical office or sales department.

MATERIALS

Support made of PA + glass fiber black colour; chrome steel or stainless steel bearing; greaser made of nickel plated brass; reinforcement bushings and washers made of stainless steel AISI 304; gaskets made of NBR rubber; cover made of polypropylene, grey colour RAL 7042.

FEATURES

Full protection of bearing against external agents. Assembly with not shouldered shafts. Maximum shaft alignment error 2.5°.

ON REQUEST

Antibacterial executions and versions with polypropylene + glass fiber support; protection cover in different colours and with personalized brand.

BOX QUANTITY

8 pieces

STAINLESS STEEL BEARING AISI 440C

D	SERIES	CODES		DIMENSIONS (mm)									Bearing load (N)		Bearing support load (N)	
		Closed type	Open type	E	A	S	G	I	Z	U	T	DF		C		CO
												Max	Min			
25	UCF 205 CBB	19554BB	19550BB	70	99	10,5	22	17	36	47	49	50	45	9150	7800	17000
30	UCF 206 CBB	19621BB	19622BB	83	113	10,5	26	20	41	54	56	60	50	12500	11200	17500